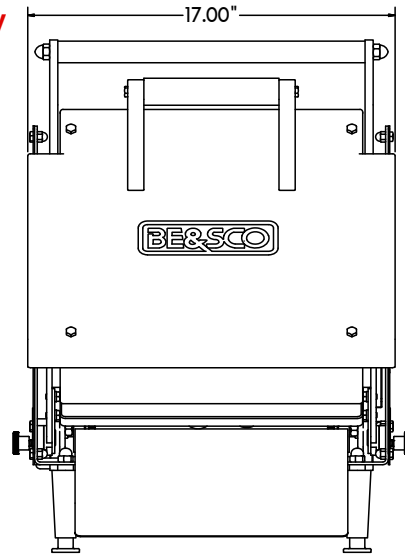


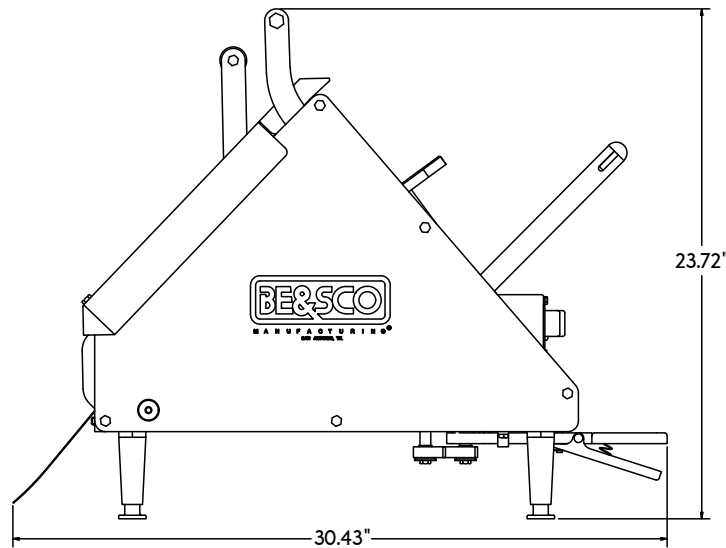
# 12M-18 WEDGE PRESS

## MANUAL FLATBREAD PRESS

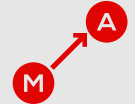
FRONT VIEW



SIDE VIEW



SINGLE PERSON OPERATION



MANUAL TO AUTOMATIC CONVERSION





AUTO-EJECTED PRODUCT



DIAMETER FROM 4" TO 13"



THICKNESS ADJUSTMENT

<b>VOLTS</b>	240V	<b>WEIGHT</b>	146LBS.
<b>AMPS</b>	23.4	<b>DIMENSIONS</b>	30.43" L X 17" W X 23.72" H
<b>CYCLES</b>	60HZ	<b>ELECTRICAL</b>	 <b>PLUG:</b> NEMA 10-50P (250V~)  <b>RECEPTACLE:</b> NEMA 10-50R (250V~)
<b>PHASE</b>	SINGLE	<b>POWER</b>	5600 WATTS



\*Production may vary due to the operator experience, diameter and thickness of product.

BE&SCO EQUIPMENT IS SOLELY INTENDED FOR USE IN A COMMERCIAL FACILITY.



REVISED: 01/20/2021