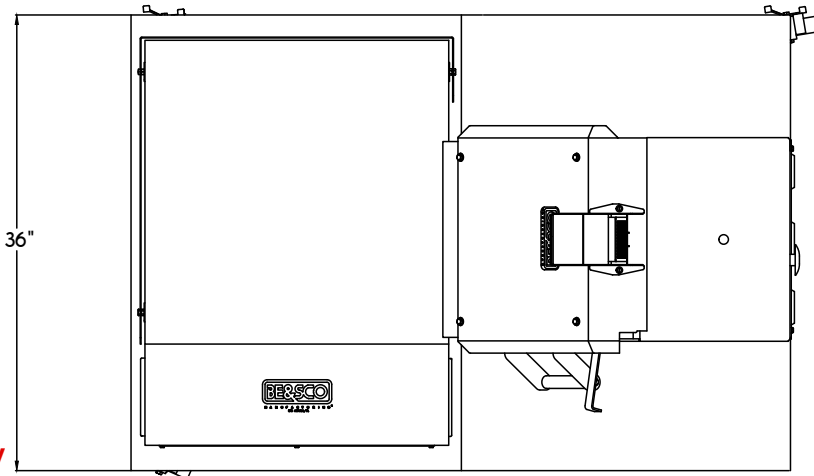
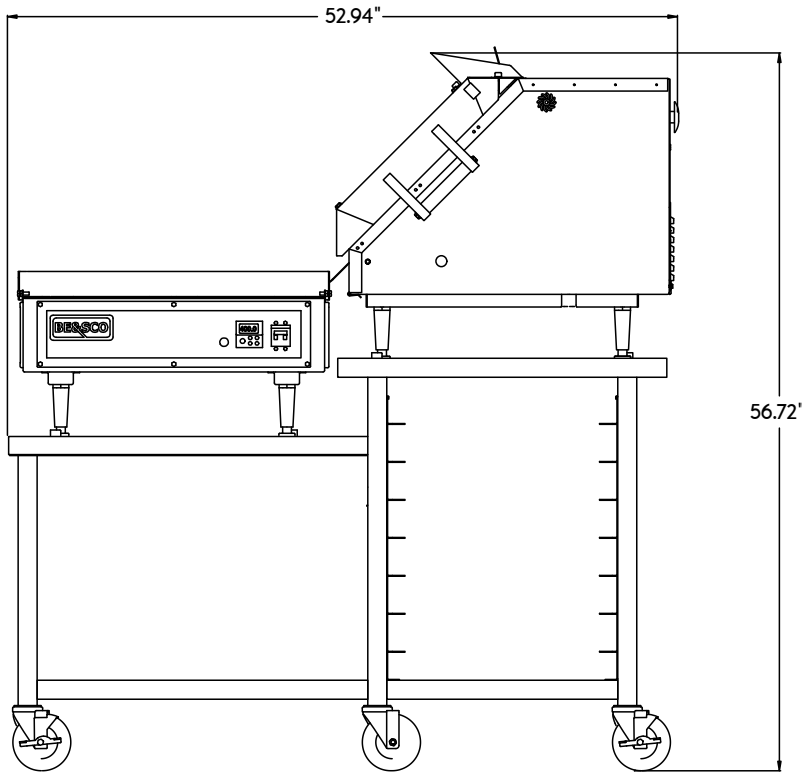




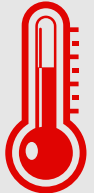


# WEDGE PRESS 2X2 COMBO





RIGHT OPENING - AUTOMATIC FLATBREAD PRESS, GRILL & STAND

SIDE VIEW



TOP VIEW

-   
 SINGLE PERSON OPERATION
-   
 AUTOMATIC
-   
 TEMPERATURE CONTROLLED PLATES
-   
 AUTO-EJECTED PRODUCT
-   
 DIAMETER FROM 4" TO 12"

<b>DIMENSIONS W/ GRILL</b>	52.94" L X 36" W X 56.72" H	<b>PRESS ELECTRICAL</b>	 <b>PLUG:</b> NEMA 10-50P (250V~)  <b>RECEPTACLE:</b> NEMA 10-50R (250V~)
		<b>GRILL ELECTRICAL</b>	 <b>PLUG:</b> NEMA 10-50P (250V~)  <b>RECEPTACLE:</b> NEMA 10-50R (250V~)



\*Certifications Applicable to Press and Grill Only. Certifications Not Applicable to Stands.  
 \*\*Production may vary due to the operator experience, diameter and thickness of product.  
 BE&SCO EQUIPMENT IS SOLELY INTENDED FOR USE IN A COMMERCIAL FACILITY.



REVISED: 07/09/2021