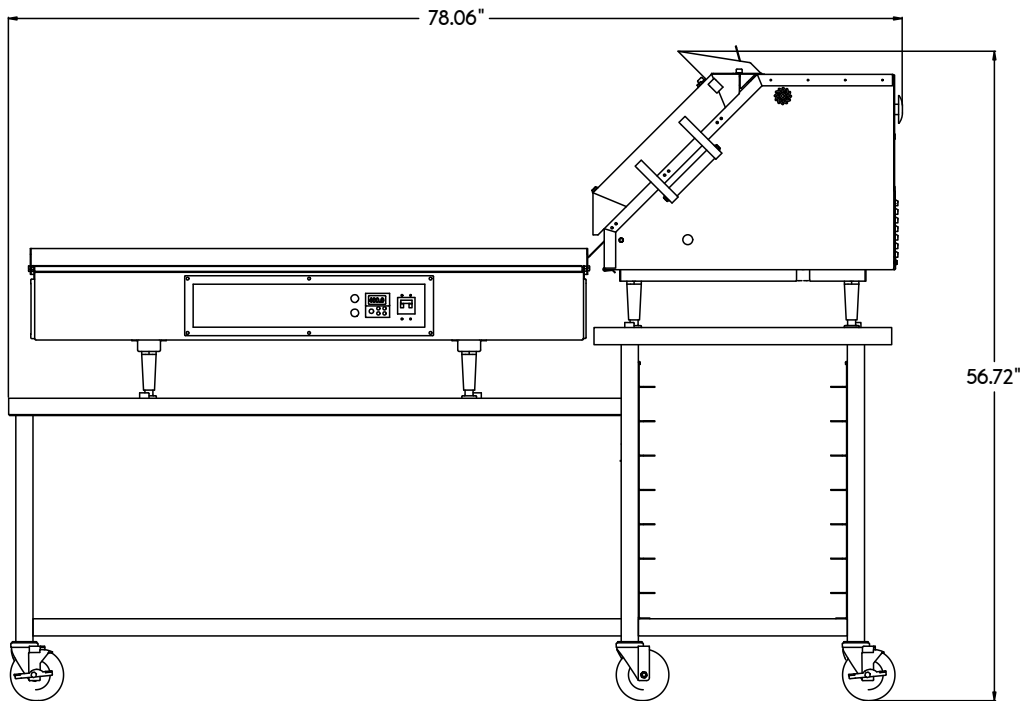


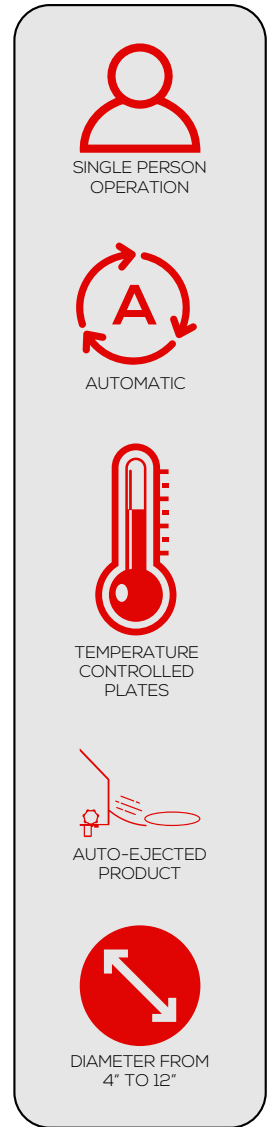
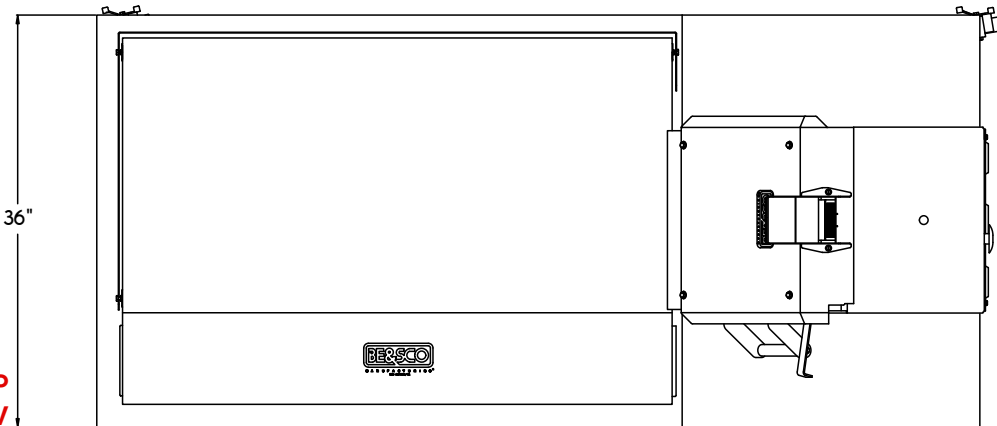
# WEDGE PRESS 2X4 COMBO




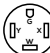
RIGHT OPENING - AUTOMATIC FLATBREAD PRESS, GRILL & STAND

SIDE VIEW



TOP VIEW



<b>DIMENSIONS W/ GRILL</b>	78.06" L X 36" W X 56.72" H	<b>PRESS ELECTRICAL</b>	 <b>PLUG:</b> NEMA 10-50P (250V~)  <b>RECEPTACLE:</b> NEMA 10-50R (250V~)
		<b>GRILL ELECTRICAL</b>	 <b>PLUG:</b> NEMA 14-60P (125-250V~)  <b>RECEPTACLE:</b> NEMA 14-60R (125-250V~)



\*Certifications Applicable to Press and Grill Only. Certifications Not Applicable to Stands.

\*\*Production may vary due to the operator experience, diameter and thickness of product.

BE&SCO EQUIPMENT IS SOLELY INTENDED FOR USE IN A COMMERCIAL FACILITY.



REVISED: 07/09/2021