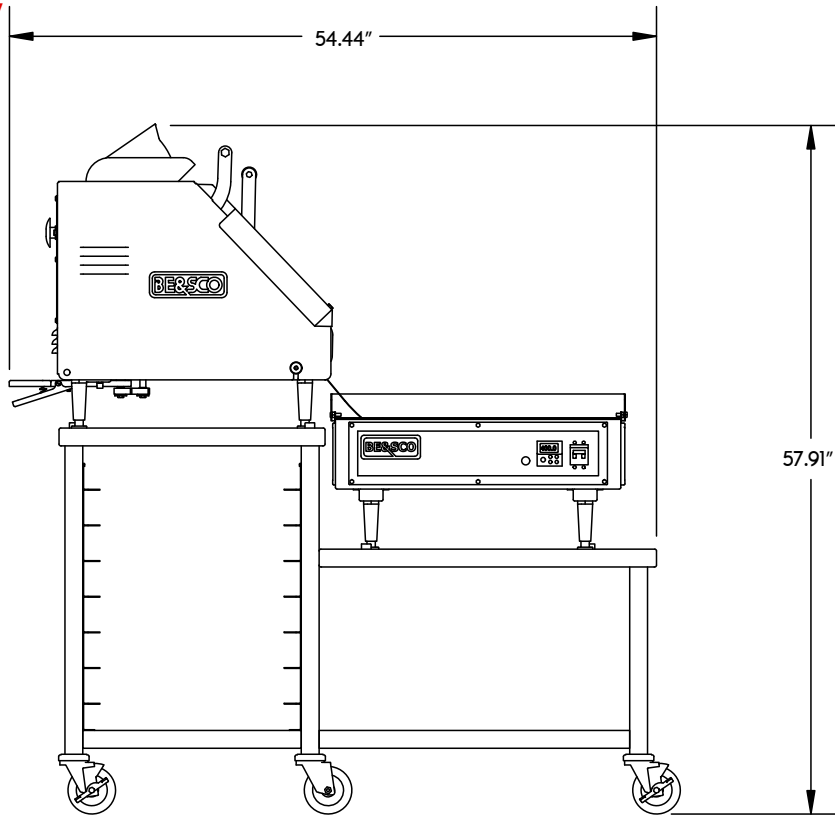


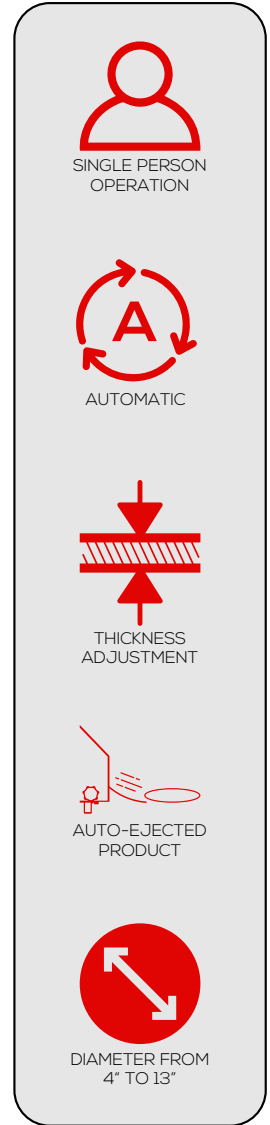
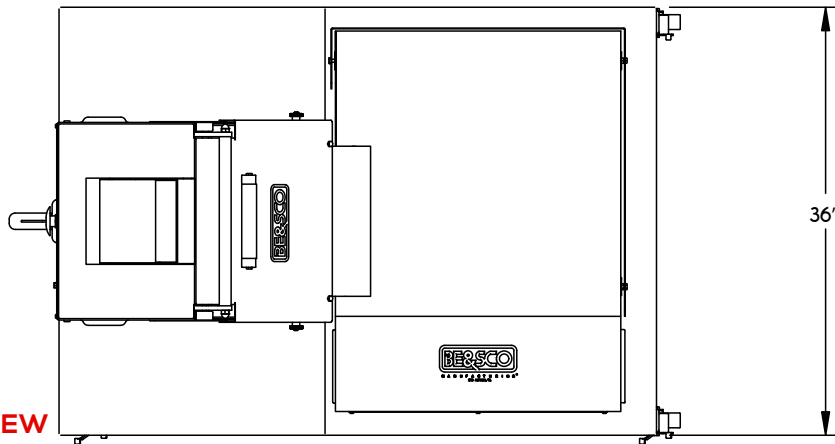
12-18 WEDGE PRESS 2X2 COMBO

AUTOMATIC FLATBREAD PRESS, GRILL & STAND

SIDE VIEW



TOP VIEW



DIMENSIONS W/ GRILL	54.44" L X 36" W X 57.91" H	PRESS ELECTRICAL	PLUG: NEMA 10-50P (250V~)	RECEPTACLE: NEMA 10-50R (250V~)
		GRILL ELECTRICAL	PLUG: NEMA 10-50P (250V~)	RECEPTACLE: NEMA 10-50R (250V~)



*Certifications Applicable to Press and Grill Only. Certifications Not Applicable to Stands.

**Production may vary due to the operator experience, diameter and thickness of product.

BE&SCO EQUIPMENT IS SOLELY INTENDED FOR USE IN A COMMERCIAL FACILITY.



REVISED: 02/25/2021