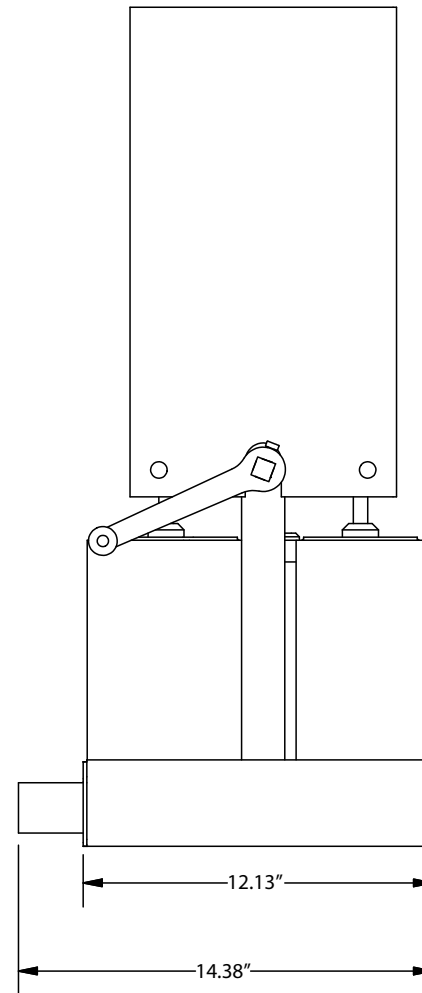
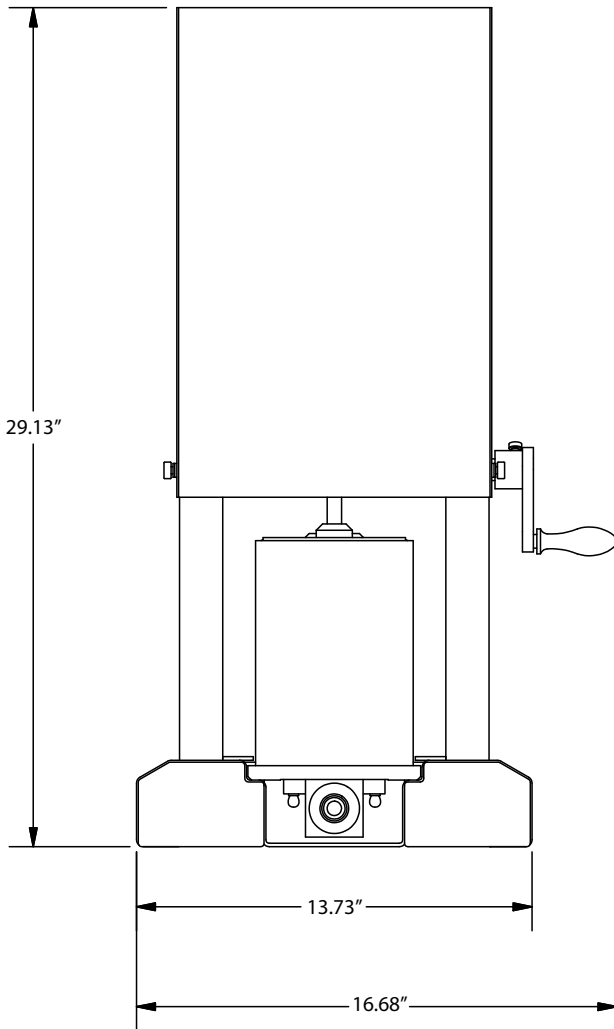


# MANUAL TAMALE MACHINE

NSF CERTIFIED

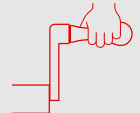
FRONT VIEW



SIDE VIEW



PERFECT  
MEAT-TO-MASA  
RATIO



MANUAL



HIGH  
PRODUCTION



EXTRUDER  
OPTIONS



SINGLE PERSON  
OPERATION

<b>WEIGHT</b>	70LBS.	<b>DIMENSIONS</b>	16.68" L X 14.38" W X 29.13" H
---------------	--------	-------------------	--------------------------------



\*Production may vary due to the operator experience, diameter and length of product.  
\*\*USDA model built within USDA guidelines for Meat and Poultry Processing equipment.

BE&SCO EQUIPMENT IS SOLELY INTENDED FOR USE IN A COMMERCIAL FACILITY.



REVISED: 02/04/2021