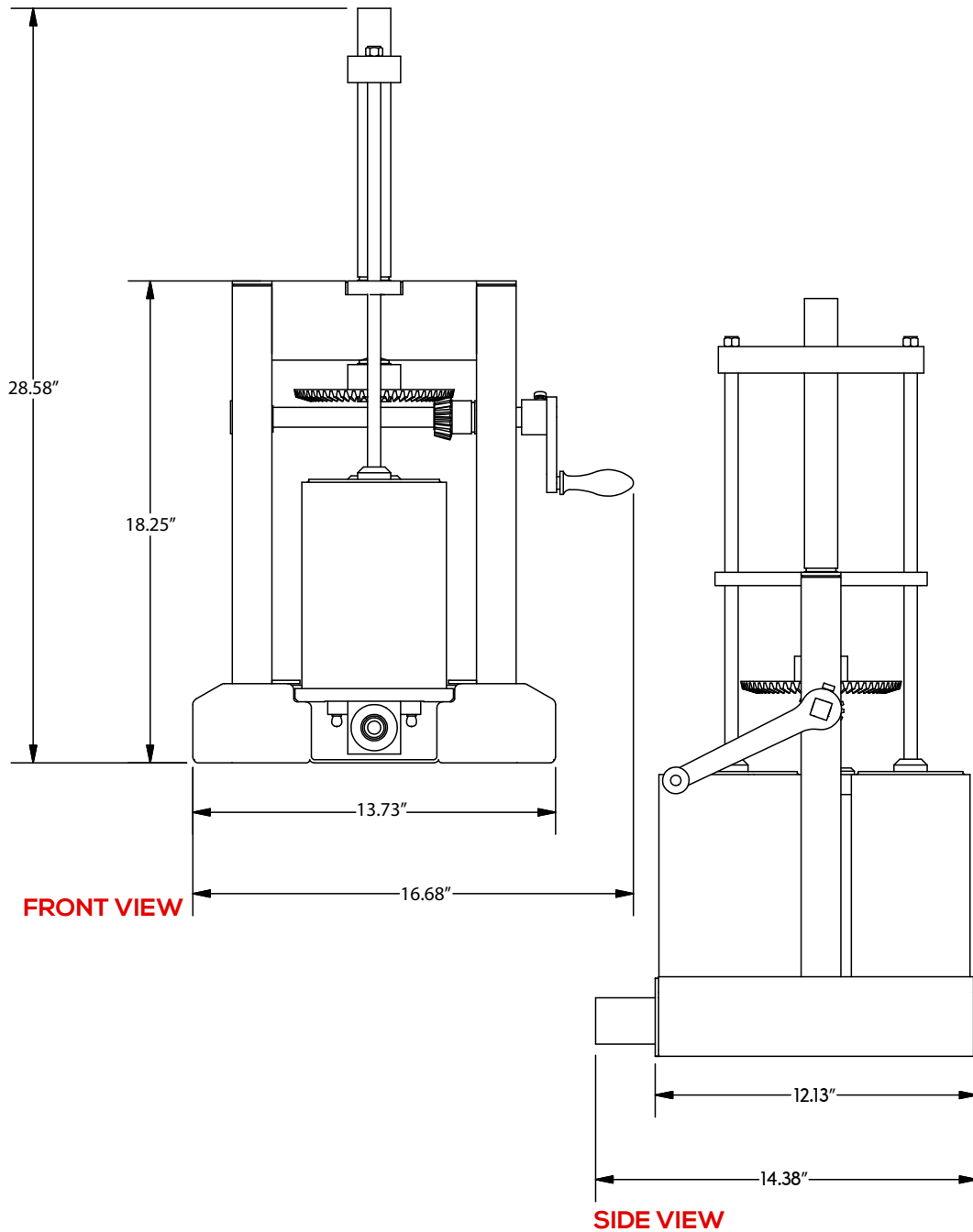


MANUAL TAMALE MACHINE



- 60/40**
PERFECT MEAT-TO-MASA RATIO
- MANUAL**
- 35 DOZ. /HR.**
HIGH PRODUCTION
- EXTRUDER OPTIONS**
- SINGLE PERSON OPERATION**

WEIGHT	70LBS.	DIMENSIONS	16.68" L X 14.38" W X 28.58" H
---------------	--------	-------------------	--------------------------------

*Production may vary due to the operator experience, diameter and length of product.
 BE&SCO EQUIPMENT IS SOLELY INTENDED FOR USE IN A COMMERCIAL FACILITY.



REVISED: 02/04/2021