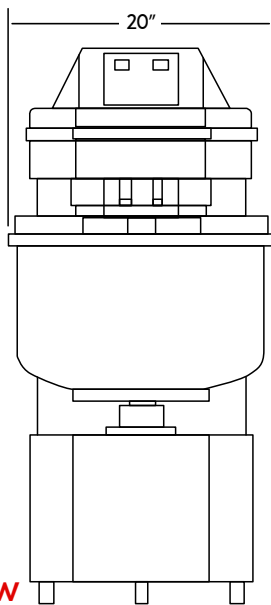
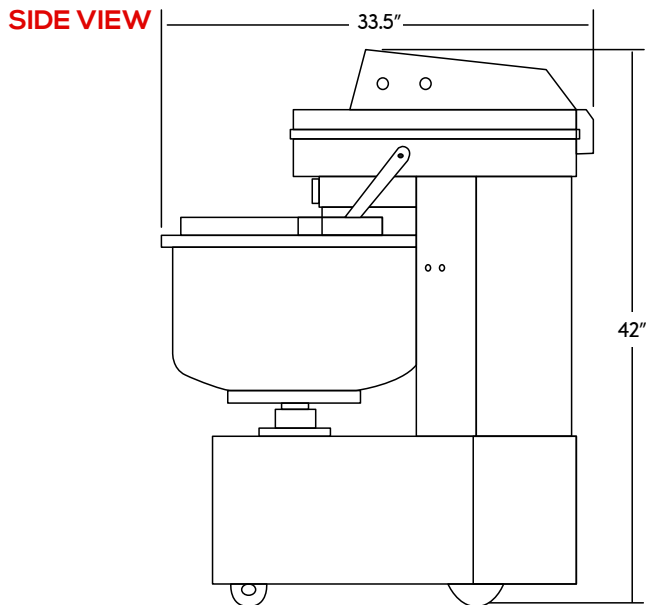


SPIRAL DOUGH MIXER- MODEL 1

25 KG/55LBS. DOUGH/27.6LBS. FLOUR



VOLTS	208V/220V	WEIGHT	450LBS.
AMPS	10	DIMENSIONS	33.5" L X 20" W X 42" H
CYCLES	60HZ	POWER	3.0HP
PHASE	THREE		



CE RoHS

*Meets UL 763 and NSF-8 Standards.

**Recommended: 15 Amp Slow Blow Breaker.

BESCO EQUIPMENT IS SOLELY INTENDED FOR USE IN A COMMERCIAL FACILITY.



REVISED: 06/02/2021