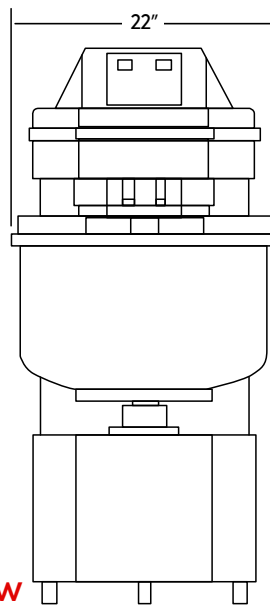
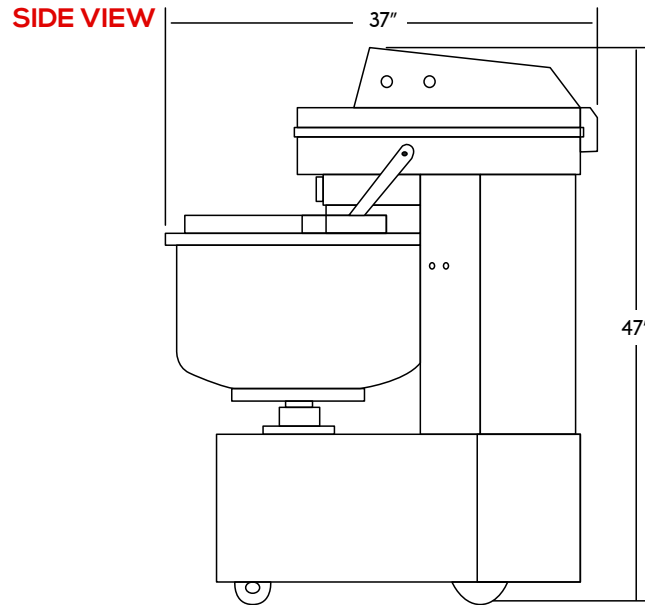


SPIRAL DOUGH MIXER- MODEL 2

50 KG/110LBS. DOUGH/55LBS. FLOUR



VOLTS	208V/220V	WEIGHT	712LBS.
AMPS	15	DIMENSIONS	37" L X 22" W X 47" H
CYCLES	60HZ	POWER	4HP
PHASE	THREE		



CE RoHS

*Meets UL 763 and NSF-8 Standards.

**Recommended: 20 Amp Slow Blow Breaker.

BESCO EQUIPMENT IS SOLELY INTENDED FOR USE IN A COMMERCIAL FACILITY.



REVISED: 06/02/2021