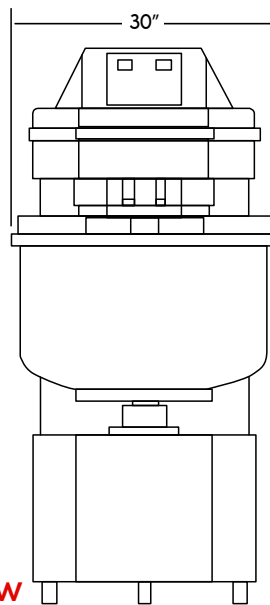
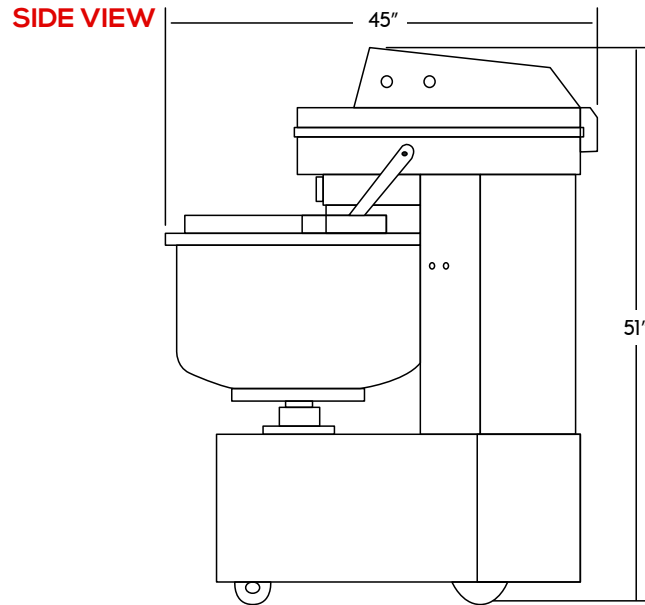


SPIRAL DOUGH MIXER- MODEL 3

80 KG/166LBS. DOUGH/110LBS. FLOUR



| | | | |
|---------------|-----------|-------------------|-----------------------|
| VOLTS | 208V/220V | WEIGHT | 1,014LBS. |
| AMPS | 20 | DIMENSIONS | 45" L X 30" W X 51" H |
| CYCLES | 60HZ | POWER | 7HP |
| PHASE | THREE | | |



CE RoHS

*Meets UL 763 and NSF-8 Standards.

**Recommended: 25 Amp Slow Blow Breaker.

BESCO EQUIPMENT IS SOLELY INTENDED FOR USE IN A COMMERCIAL FACILITY.



REVISED: 06/02/2021