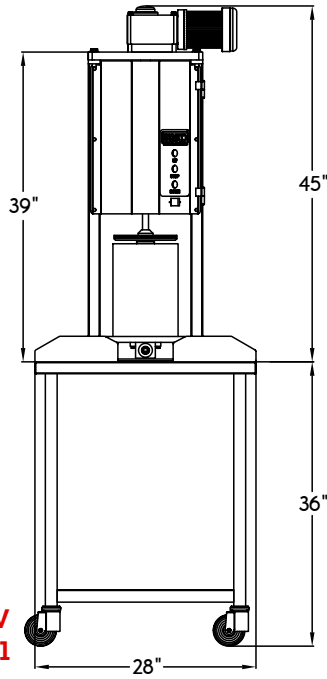
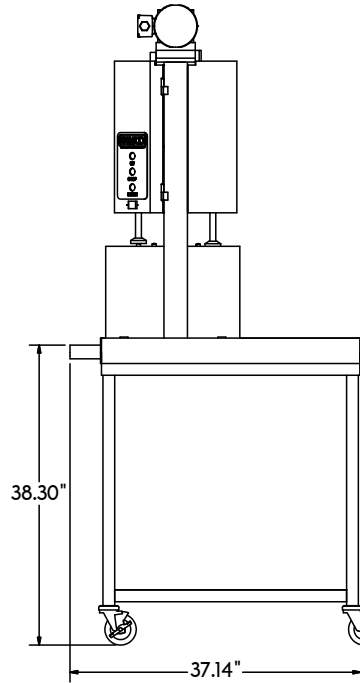


# ELECTRIC TAMALE MACHINE

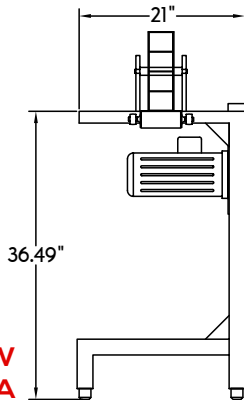
## WITH TABLE AND CUTTER



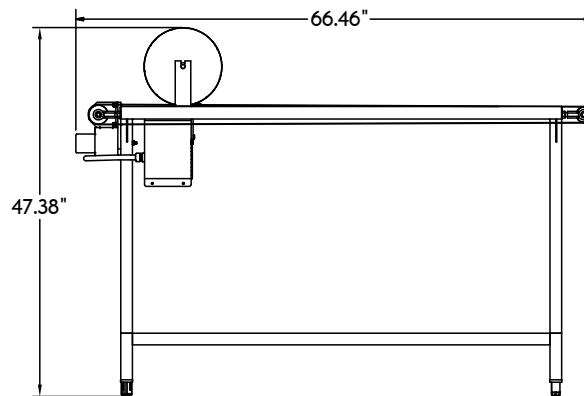
FRONT VIEW  
MODEL 31



SIDE VIEW  
MODEL 31



FRONT VIEW  
MODEL 22A



SIDE VIEW  
MODEL 22A



PERFECT  
MEAT-TO-MASA  
RATIO



AUTOMATIC





HIGH  
PRODUCTION



EXTRUDER  
OPTIONS



SINGLE PERSON  
OPERATION

<b>VOLTS</b>	220V	<b>DIMENSIONS (MODEL 31)</b>	37.14" L X 28" W X 81" H
<b>AMPS (MODEL 31)</b>	5	<b>DIMENSIONS (MODEL 22A)</b>	66.46" L X 21" W X 47.38" H
<b>AMPS (MODEL 22A)</b>	1.5	<b>ELECTRICAL (220V)</b>	 <b>PLUG:</b> NEMA 6-20P (250V~)  <b>RECEPTACLE:</b> NEMA 6-20R (250V~)
<b>CYCLES/PHASE</b>	60HZ/SINGLE	<b>POWER (MODEL 31)</b>	600 WATTS
<b>WEIGHT (MODEL 31)</b>	470LBS.	<b>POWER (MODEL 22A)</b>	180 WATTS
<b>WEIGHT (MODEL 22A)</b>	251LBS.		

\*Production may vary due to the operator experience, diameter and length of product.  
BE&SCO EQUIPMENT IS SOLELY INTENDED FOR USE IN A COMMERCIAL FACILITY.

**BE&SCO**  
MANUFACTURING®

REVISED: 12/15/2021